



Special Plastic Module for
semiconductor industry

S.P.M. s.r.l.

Quartz Tube trolley with elevator



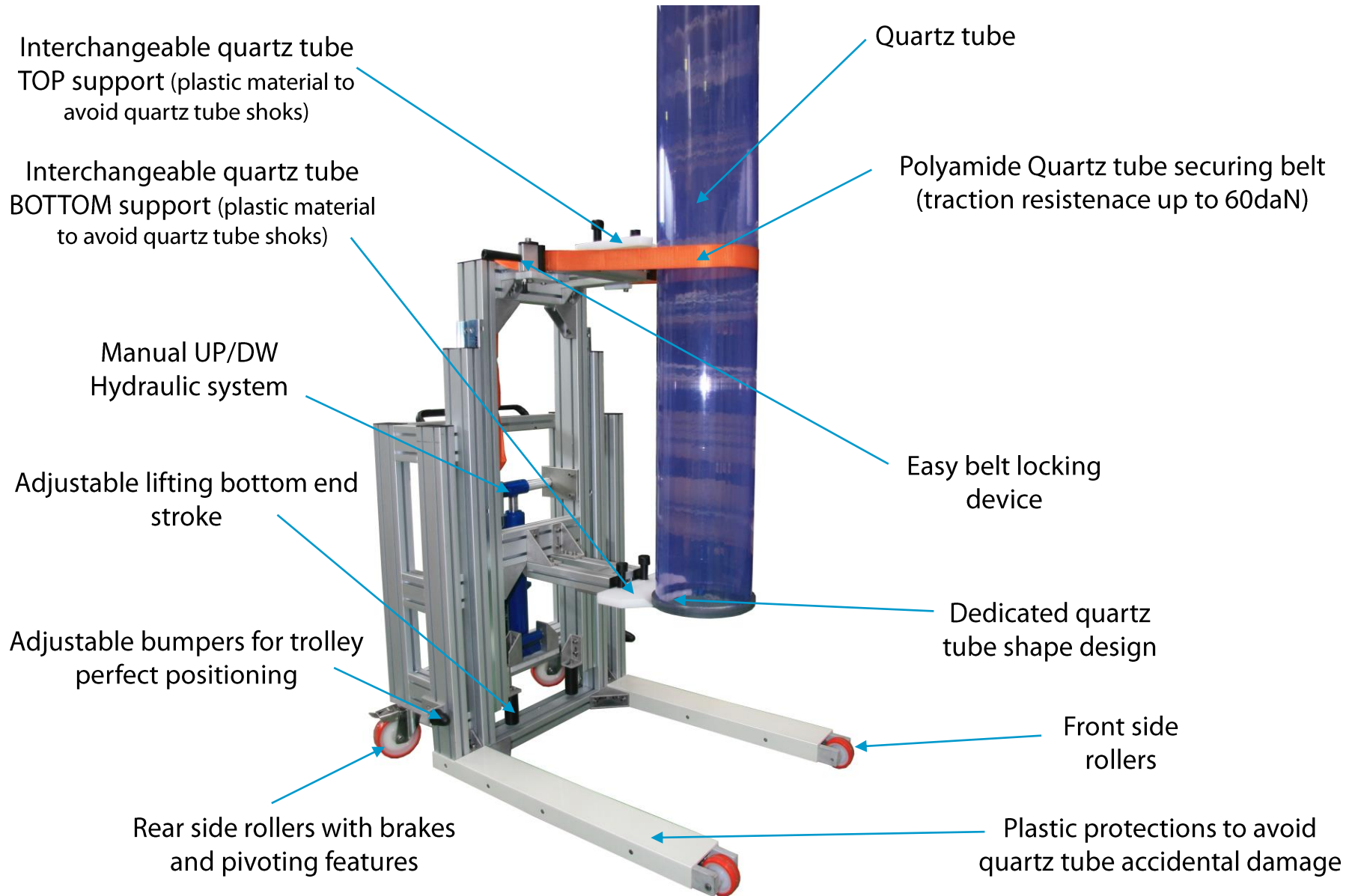
This trolley has been designed with the purpose of quartz tubes insertion into the cleaning equipment.

Main features of the trolley:

- ▣ Pivoting rollers for easy movement with manual brake for loading/unloading operations;
- ▣ Compact design for easy quartz tube insertion into the cleaning equipment;
- ▣ Manual UP/DW hydraulic system for quartz tubes smooth releasing/catching into cleaning equipment avoiding quartz tubes shocking and stress;
- ▣ Easy belt locking device: fast and secure quartz tube releasing and hold;
- ▣ Interchangeable quartz tube supports for different diameters (top and bottom) – No tools needed;
- ▣ Easy Adjustable Top and bottom lifting end stroke



Quartz tube trolley



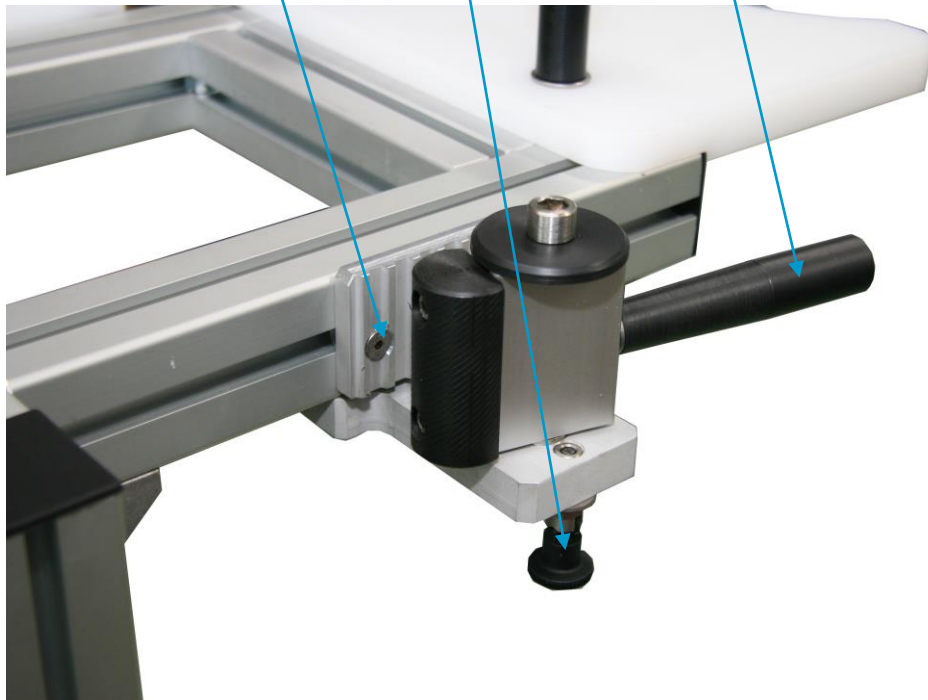
Easy Belt locking device



Manual handle to release/lock the belt

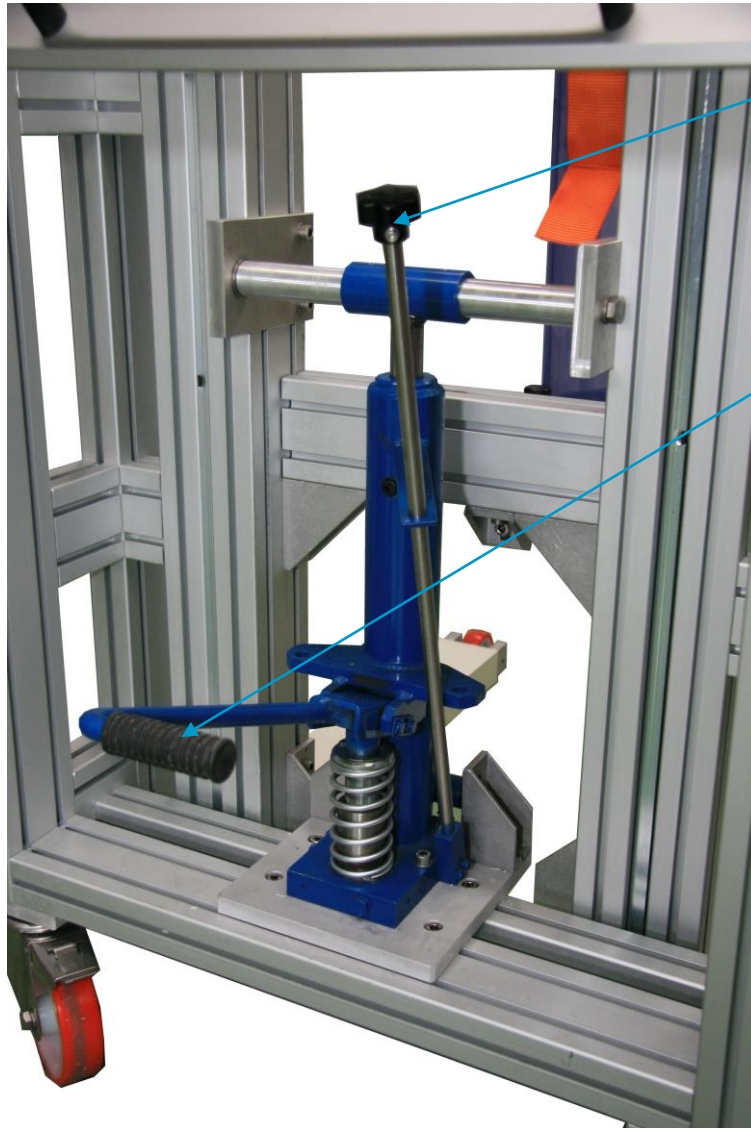
Safety releasing handle lock

Belt gripper





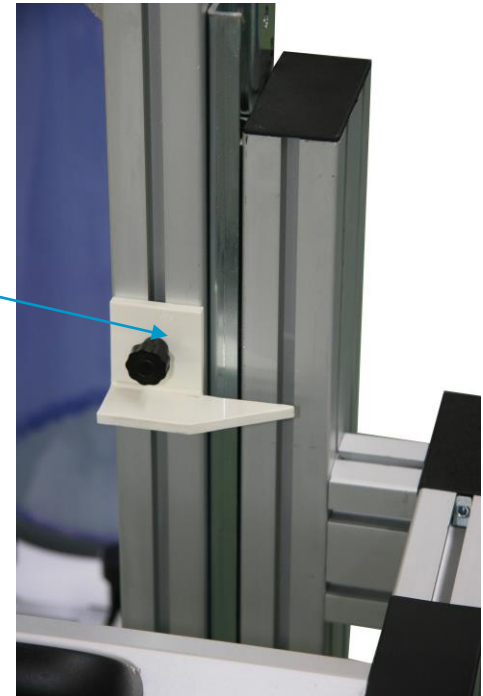
Lifting system



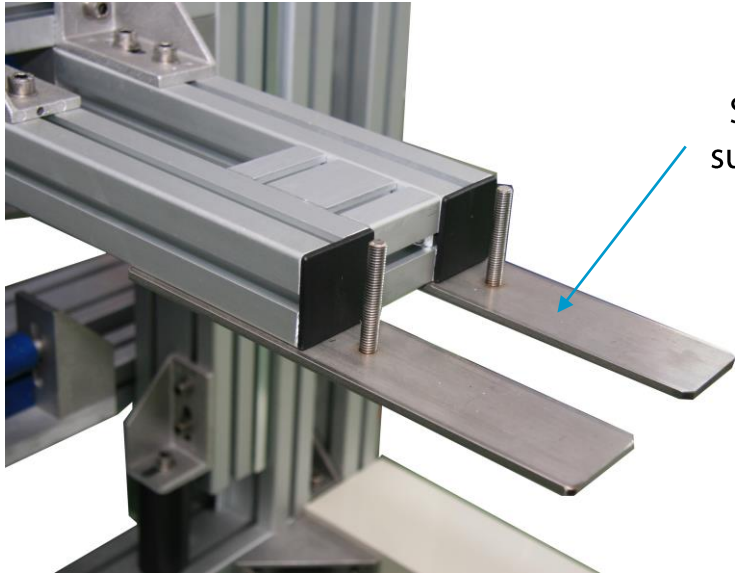
Manual handle for trolley lowering (smooth and slow movement to avoid quartz stress)

Manual pedal for trolley lifting (hydraulic system up to 500 kg)

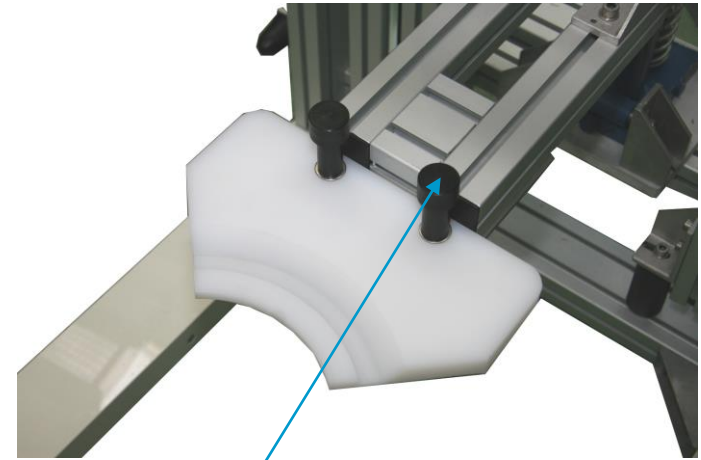
Adjustable Lifting/Lowering height indication



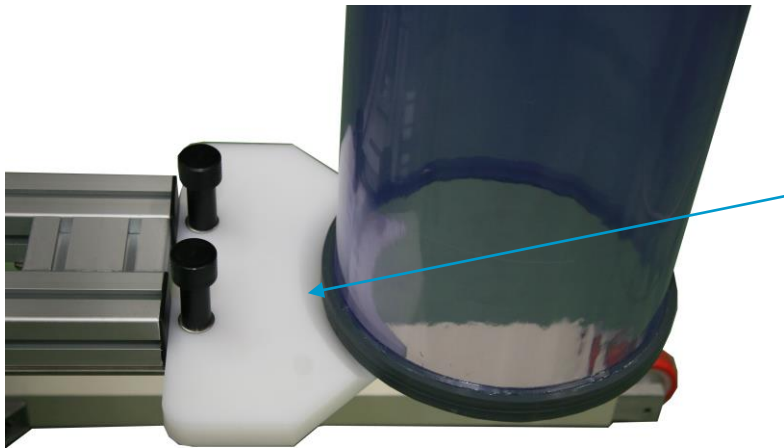
Bottom quartz support



Stainless steel support holding plate



Plastic fasteners for support locking (no tools needed for support change operations)



Dedicated quartz tube seat



S.P.M. s.r.l.

Ambrogio Sala

President



Special Plastic Module for
semiconductor industry

- E-mail: ambsala@spm-semiconductor.it
- Web: www.spm-semiconductor.it
- Youtube channel:
<https://www.youtube.com/user/SPMSemiconductor>
- Phone: +39 0396010152
- Fax: +39 0396011434
- Address: via G.Galilei 8, 20876 Ornago (MB) ITALY